

COMPACT VALVE

(NAMUR Standard) Series DS3

Cat No DS3 - 01 - A

COMPACT VALVE - G1/4

Features

- ❑ Suitable for 'NAMUR' standard fitments
- ❑ Compact size
- ❑ Manual override
- ❑ Wide range of coil voltages

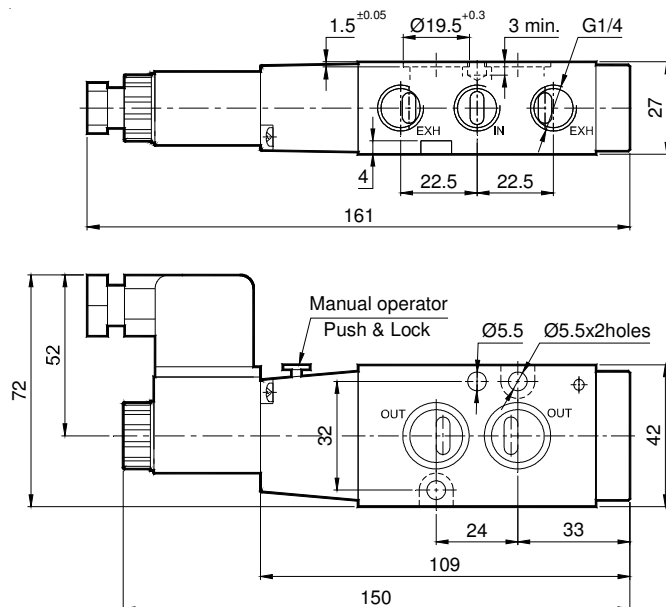


Technical Specification

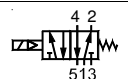
Model	DS3	
Type	5/2 Single Solenoid & Double Solenoid	
Design	Spool type with NAMUR hole pattern	
Port Size	Inlet, Exhaust - G1/4	Outlet - NAMUR hole pattern
Medium	Compressed air, filtered, lubricated	
Working Pressure range	2 - 10 bar	
Ambient / Medium temperature	5° - 60° C	
Flow @	1400 lts/min	
Mounting type	2 holes in Housing to NAMUR standard with Combination head screw (M5x30) - 2nos., O Ring (Ø16xØ2) - 2nos.	
Materials of construction	Aluminium, Nitrile, Brass, Steel, Acetal, PBT, Zinc	
Product Weight	Single Solenoid - 350gms, Double Solenoid - 440gms,	
Electrical		
Coil width	22 mm	
Voltage (V) ± 10%	AC (50 Hz) - 24, 48, 110, 220	
	DC - 12, 24, 48, 110	
Power consumption	AC - 6 VA, DC - 5 W	
Duty cycle	Continuous	
Class of insulation	Class F	
Type of coil protection	IP65	
Cable entry	PG9 (Suitable for Ø6 - Ø8 OD cable (2wire/3wire))	

@ Inlet pressure 6 bar, and pressure drop 1 bar

5 / 2 Single Solenoid pilot operated valve with spring return



1 - Inlet, 2,4 - Outlet, 3,5 - Exhaust

Ordering No*	DS355SR61
Symbol	

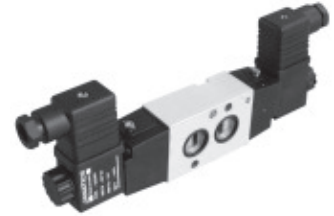
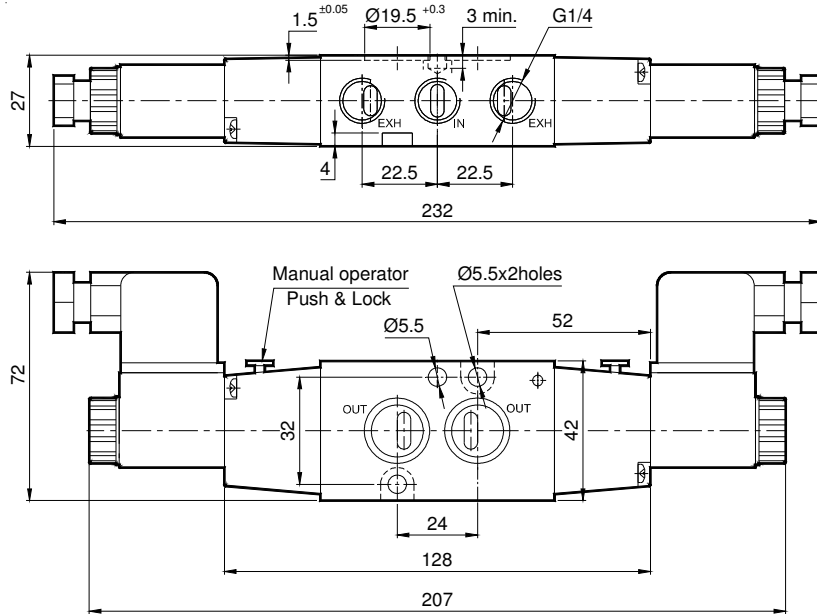
* For ordering No, voltage to be added.

COMPACT VALVE

(NAMUR Standard) Series DS3

Cat No DS3 - 01 - A

5 / 2 Double solenoid pilot operated valve



1 - Inlet, 2,4 - Outlet, 3,5 - Exhaust

Ordering No*	DS355SS61
Symbol	<p>4 2 513</p>

* For ordering No, voltage to be added.

COMPACT VALVE

(NAMUR Standard) Series DS3

Cat No DS3 - 01 - A

How to order

1. Solenoid valve + “ Connectors without LED ”

While ordering Solenoid operated valves, please mention the suffix given below along with the model number to indicate the required voltage

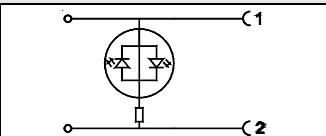
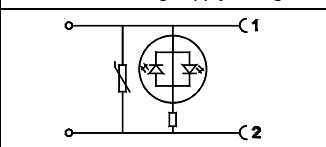
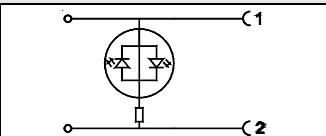
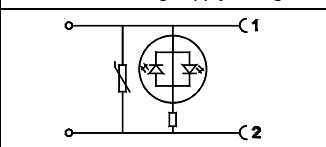
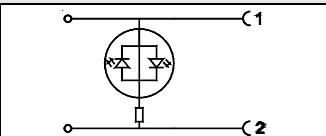
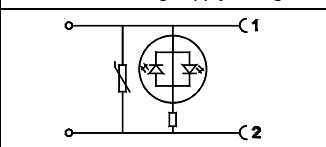
A	220V AC	Q	110V D C
B	110V AC	S	48V D C
D	48V AC	W	24V D C
G	24V AC	R	12V D C

Example

- a. The ordering no. for 5/2 Single solenoid valve, 24V D.C coil with PG cable is **DS355SR61-W**
- b. The ordering no. for 5/2 Single solenoid valve, 24V D.C coil with Moulded cable is **DS355SR61-W1**

2. Solenoid valve + “ Connectors with LED ”

While ordering Solenoid operated valves with LED connectors, given below in the corresponding tables.

○	○ ○	R	○																				
Voltage	Housing Colour & Indication	LED colour	Connection type																				
<table border="1" style="width: 100%; border-collapse: collapse;"> <tr><td style="width: 10%;">A</td><td>220V AC</td></tr> <tr><td>G</td><td>24V AC</td></tr> <tr><td>W</td><td>24V DC</td></tr> </table>	A	220V AC	G	24V AC	W	24V DC	<table border="1" style="width: 100%; border-collapse: collapse;"> <tr> <td style="width: 10%; text-align: center;">T0</td> <td style="text-align: center;">  </td> </tr> <tr> <td colspan="2" style="text-align: center;">Transparent housing with Bipolar LED indicator confirming supply voltage</td> </tr> <tr> <td style="text-align: center;">T1</td> <td style="text-align: center;">  </td> </tr> <tr> <td colspan="2" style="text-align: center;">Transparent housing with Bipolar LED indicator confirming supply voltage plus varistor to give over voltage protection to the source and load</td> </tr> </table>	T0		Transparent housing with Bipolar LED indicator confirming supply voltage		T1		Transparent housing with Bipolar LED indicator confirming supply voltage plus varistor to give over voltage protection to the source and load		<table border="1" style="width: 100%; border-collapse: collapse;"> <tr><td style="width: 10%;">R</td><td>Red</td></tr> </table>	R	Red	<table border="1" style="width: 100%; border-collapse: collapse;"> <tr><td style="width: 10%;">0</td><td>PG Cable entry</td></tr> <tr><td>1</td><td>Moulded cable (with 2metre length)</td></tr> </table>	0	PG Cable entry	1	Moulded cable (with 2metre length)
A	220V AC																						
G	24V AC																						
W	24V DC																						
T0																							
Transparent housing with Bipolar LED indicator confirming supply voltage																							
T1																							
Transparent housing with Bipolar LED indicator confirming supply voltage plus varistor to give over voltage protection to the source and load																							
R	Red																						
0	PG Cable entry																						
1	Moulded cable (with 2metre length)																						

Example

The Ordering no for 5/2 Single solenoid valve (1/4"), 24V DC, connectors with LED of Transparent colour housing with Bipolar LED and varistor, Red colour LED with moulded cable: **DS355SR61-WT1R1**